

E1240AR Series

135W to 240W Single Output



KEY FEATURES

- With P.F.C. Function, PF>0.95
- Free Air Convection
- High Efficiency up to 93%
- RoHS Compliant Design
- Ultra Compact Size: 6.0 x 4.18 x 1.38 Inches

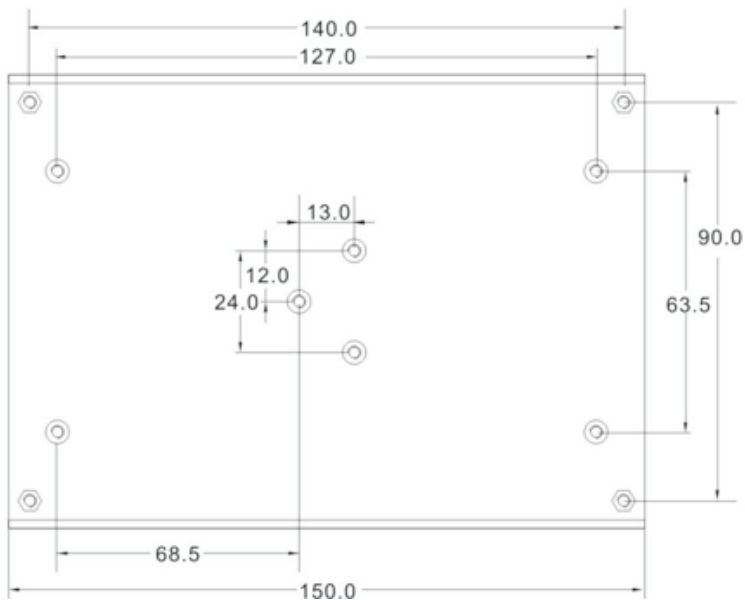
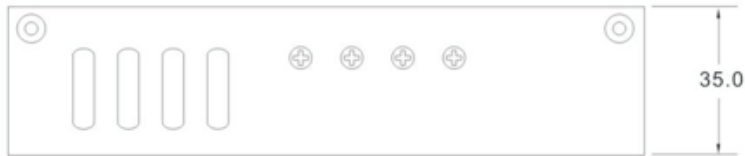
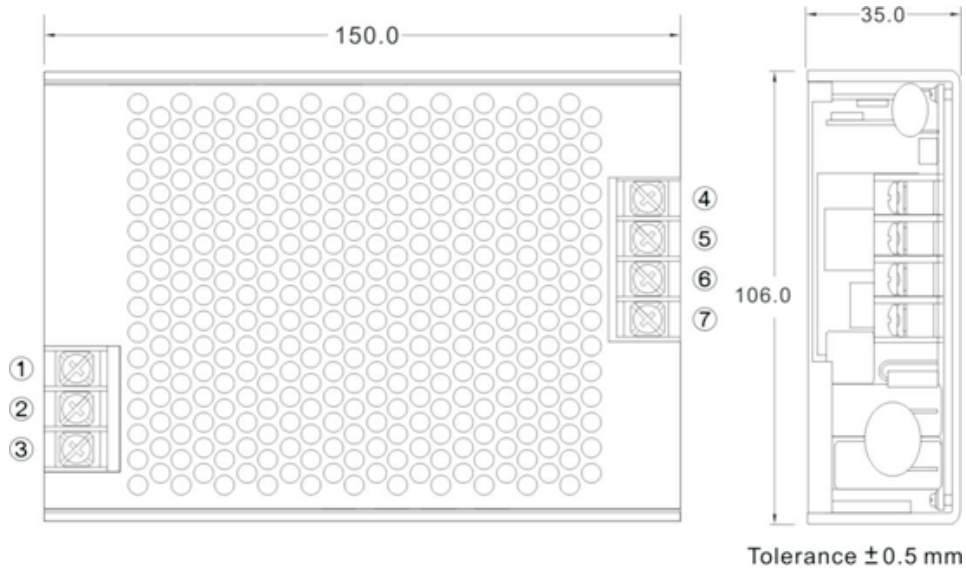


ELECTRICAL SPECIFICATIONS

Part No.		E1135AR-3.8	E1180AR-05	E1200AR-12	E1220AR-15	E1240AR-24	E1240AR-28	E1240AR-32	E1240AR-48	
Max Output Wattage (W)		136W	180W	200W	220W	240W				
Input	Voltage	90-264 VAC or 120-370 VDC								
	Frequency (Hz)	47-63 Hz								
	Current (Full load)	<3.0 A max. (115 VAC) / <1.5 A max. (230 VAC)								
	Inrush Current (<2ms)	< 30 A max. (115 VAC) / < 60 A max. (230 VAC)								
	Leakage Current	< 0.5 mA max.								
	Power Factor	PF>0.98 (115 VAC) / PF>0.95 (230 VAC) at Full Load								
Output	Voltage (V.DC.)	3.8V	5V	12V	15V	24V	28V	32V	48V	
	Voltage Accuracy	±2%								
	Current (Convection) (A) max	36	36	16.66	14.66	10	8.57	7.5	5	
	Line Regulation	±1%								
	Load Regulation	±1%								
	Minimum Load	1%								
	Maximum Capacitive Load	470-23,000µF depending on model								
	Ripple & Noise (max.)	100mVp-p			120mVp-p		200mVp-p			
	Efficiency (typ.)	84%	88%	90%	90%	92%	92%	92%	93%	
	Hold-up Time	20 ms min.								
	Switching Frequency	100 kHz								
Protection	Over Power Protection	Auto recovery								
	Over Voltage Protection	Latch Off								
	Short Circuit Protection	Latch Off								
Isolation	Input-Output (V.AC)	4000V								
	Input-FG (V.AC)	2000V								
	Output-FG (V.AC)	500V								
Environment	Operating Temperature	-10°C...+70°C (with derating)								
	Storage Temperature	-25°C...+85°C								
	Temperature Coefficient	±0.03%/°C (0~50°C)								
	Humidity	95% RH								
	MTBF	>50,000 h @ 25°C (MIL-HDBK-217F)								
	Vibration	10~500Hz, 2G 10min./1cycle, 60min. each along X, Y, Z axes.								
Physical	Dimension (L x W x H)	6.0 x 4.18 x 1.38 Inches (150.0 x 106.0 x 35.0 mm) Tolerance ±0.5 mm								
	Weight	610 g								
	Cooling Method	Free convection								
Safety	Agency Approvals	CE, UL60950(except 3.8S and 5S)								
EMC	EMI (Conducted & Radiated Emission)	EN 55022 class B								
	EMS (Noise Immunity)	EN 55024								

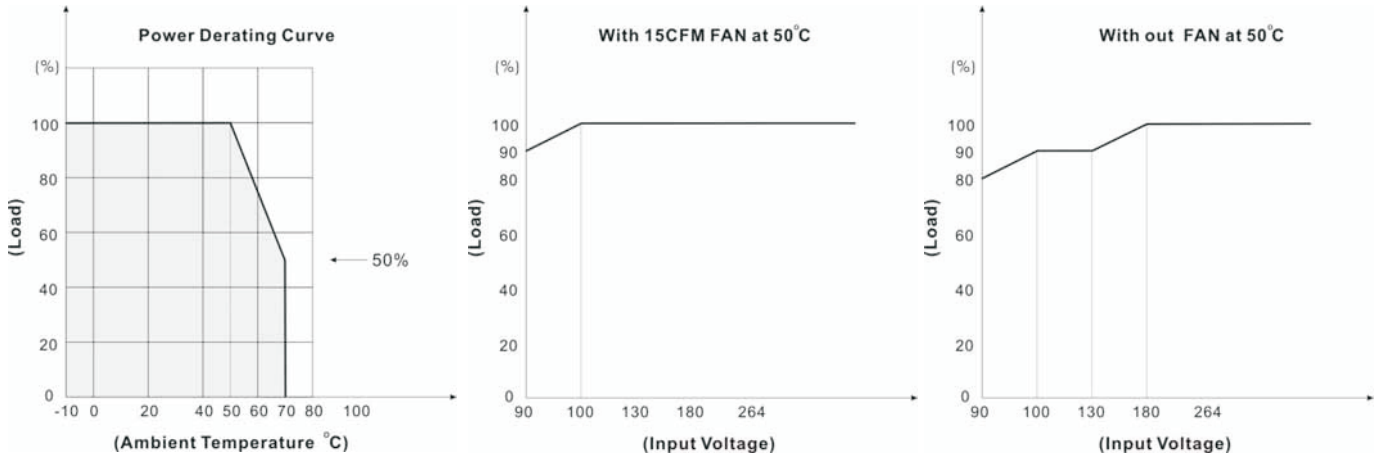
1. All specifications valid at normal input voltage, full load and +25°C after warm-up time unless otherwise stated.
2. Ripple & Noise are measured at 20MHz of bandwidth with 0.1µF & 47µF parallel capacitor.

Mechanical Drawing



PIN#	SINGLE
1	AC IN (L)
2	AC IN (N)
3	FG
4	+DC OUT
5	+DC OUT
6	-DC OUT
7	-DC OUT

Derating



Block Diagram

Single Output

